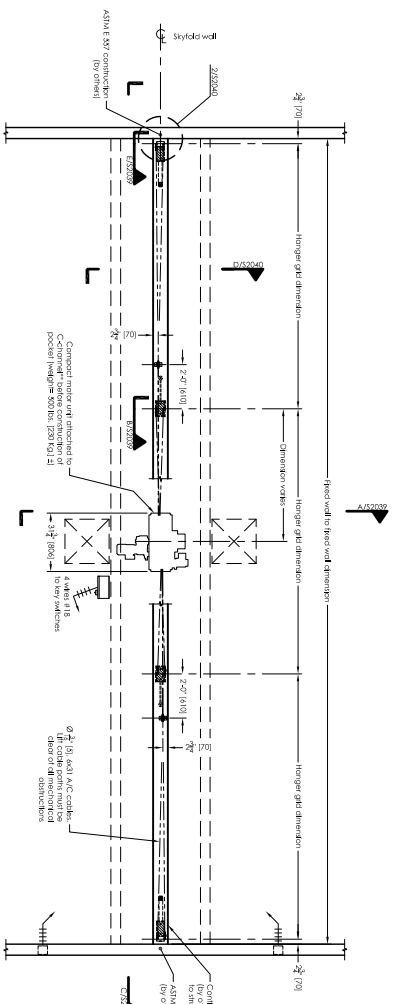
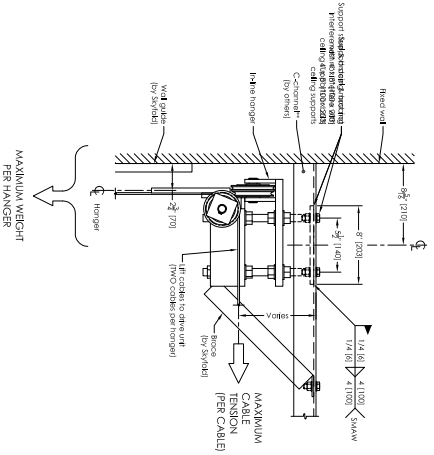


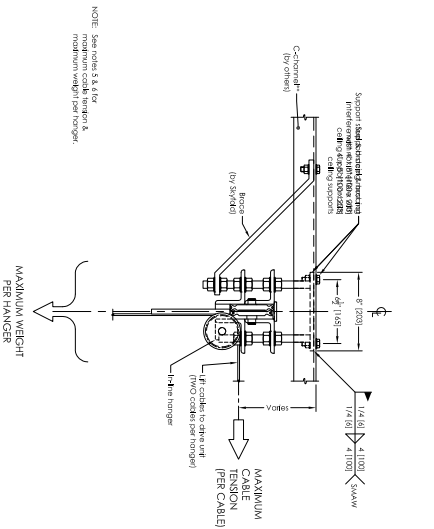
WIRING DIAGRAM FOR EFT SWITCHES #1 & #2
SCALE: NONE



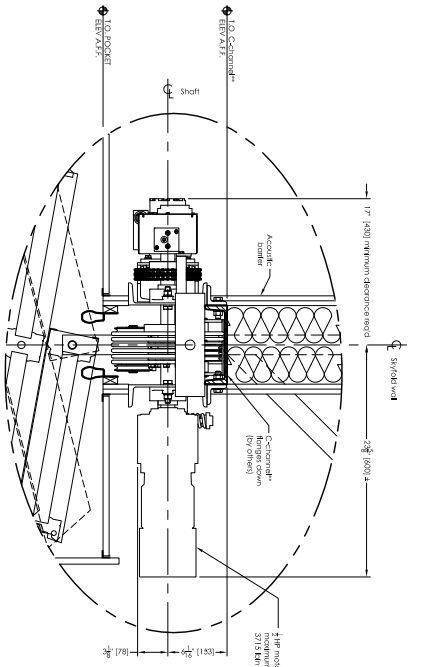
PLAN
SCALE: 3/8\"/>



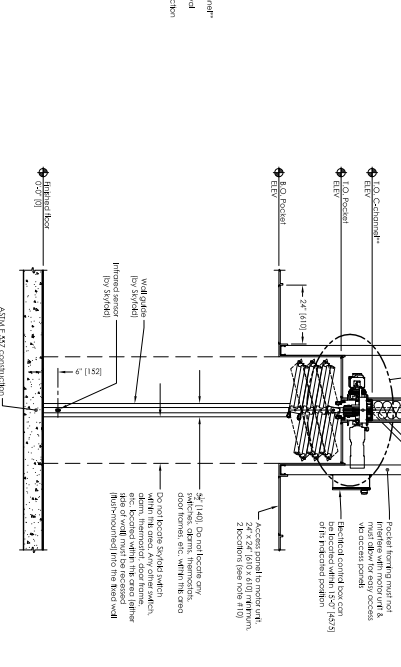
SECTION - LOADS @ HANGERS
E END CONDITION, TYP X2
SCALE: 3/8\"/>



SECTION - LOADS @ HANGERS
B MTD CONDITION, TYP X2
SCALE: 3/8\"/>



DETAIL - SKYFOLD MECHANICAL
SCALE: 1/2\"/>



SECTION - WALL UP
SCALE: 1/2\"/>



Part of the Inotech Architectural Group

NOTES TO G.C.

1. Give special attention to any construction to ceiling plan, electrical conduit, etc.
2. One steel C-channel* (hanger steel) to be installed & braced by other. Alternate steel support to be C-channel only/other.
3. Approximate weight of C-channel* to structure to be designed by other & mirrored to ceiling with Skyfold.
4. Structural engineer to be consulted for ceiling design with mirror mounts or ceiling supports.
5. Approximate weight of wall:

XXXX lbs.
XXXX lbs.
XXXX lbs.
6. Approximate weight of hanger:

XXXX lbs.
XXXX lbs.
XXXX lbs.
7. Structural steel: 200 W4x130, 80, 60 lbs.
8. APPROXIMATE WEIGHT OF SKYFOLD MECHANICAL TO BE ADJUSTED BY THE ELECTRICAL CONTRACTOR.
9. Verify height/clearance.
10. Skyfold mirror has 2" x 2" x 1/4" (1/4" minimum) access panel for routine ceiling checks. Additional access panel may be required for maintenance access.
11. All access construction (partition, suspended ceiling, framing, etc.) to be by other.
12. Dimension () use in millimeters (mm) unless noted otherwise.

LEGEND

	EFT SWITCH CONTROL
	CEILING SUPPORT AND HANGER
	CEILING ACCESS PANEL

THE DRAWING BUILT UP AS A CEILING IN ALL CASES. THE DRAWING BUILT UP AS A CEILING IN ALL CASES ARE REQUIRED FOR FINAL BIDDING CONSTRUCTION.

TYPICAL MIRAGE WALL

X @ X'-X" [XXXX] x
X'-X" [XXXX] B.O. Pocket
Compact drive unit

MECHANICAL & ELECTRICAL DETAILS

1

SCALE: 3/8\"/>

